

# 卡箍式电磁屏蔽防水接头

## EMV Clamp type Cable Gland



主体材质：黄铜镀镍

Material: Nickel-plated brass

温度：-40°C~+100°C，短时间 120°C

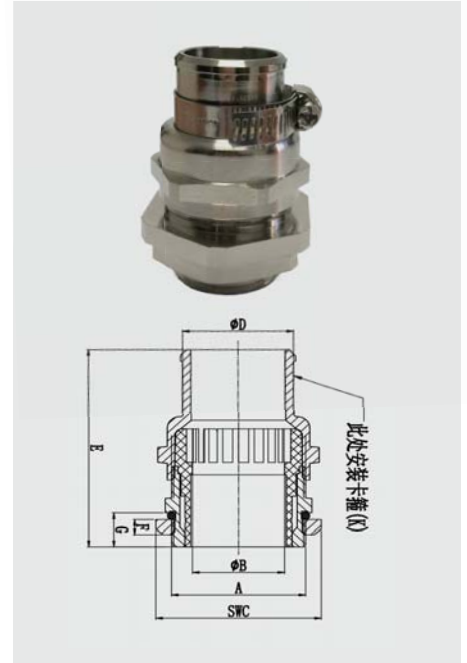
Temperature range: -40°C ~ +100°C, short-term to 120°C

防护等级：IP68(使用 O 型圈的情况下)

Protection Degree: IP68(Using O-sealing)

特性：可屏蔽电磁干扰，不含卤素和镉，同时具有极好的抗冲击强度。

Properties: Resistant to EMI shielding free of halogen and cadmium, with excellent impact strength.



| 型号<br>Part no.       | 螺纹<br>A<br>Thread | B    | 尺寸 Dimension(mm) |      |      |     |      |        |    | 包装(个)<br>Packing |
|----------------------|-------------------|------|------------------|------|------|-----|------|--------|----|------------------|
|                      |                   |      | C                | D    | E    | F   | G    | K      |    |                  |
| HSM-EMV-M12(3-6.5)/K | M12X1.5           | 6.5  | 14.0             | 10.0 | 37.0 | 2.7 | 6.0  | K10-16 | 25 |                  |
| HSM-EMV-M16(4-8)/K   | M16X1.5           | 8.0  | 20.0             | 12.0 | 40.0 | 3.0 | 7.0  | K12-22 | 25 |                  |
| HSM-EMV-M16(5-10)/K  | M16X1.5           | 10.0 | 20.0             | 13.5 | 40.0 | 3.0 | 7.0  | K12-22 | 25 |                  |
| HSM-EMV-M20(6-12)/K  | M20X1.5           | 12.0 | 22.0             | 15.5 | 43.0 | 3.0 | 8.0  | K12-22 | 25 |                  |
| HSM-EMV-M20(8-14)/K  | M20X1.5           | 14.0 | 22.0             | 17.3 | 42.3 | 3.0 | 8.0  | K16-27 | 25 |                  |
| HSM-EMV-M25(10-16)/K | M25X1.5           | 16.0 | 27.0             | 19.0 | 44.3 | 3.2 | 8.0  | K16-27 | 15 |                  |
| HSM-EMV-M25(13-18)/k | M25X1.5           | 18.0 | 30.0             | 21.3 | 50.9 | 3.5 | 8.0  | K20-32 | 15 |                  |
| HSM-EMV-M32(15-22)/K | M32X1.5           | 22.0 | 36.0             | 26.5 | 52.8 | 4.0 | 9.0  | K25-40 | 10 |                  |
| HSM-EMV-M32(18-25)/K | M32X1.5           | 25.0 | 40.0             | 29.5 | 56.6 | 4.5 | 8.0  | K25-45 | 10 |                  |
| HSM-EMV-M40(18-25)/K | M40X1.5           | 25.0 | 45.0             | 29.5 | 58.9 | 4.5 | 9.0  | K25-45 | 10 |                  |
| HSM-EMV-M40(22-32)/K | M40X1.5           | 32.0 | 50.0             | 36.2 | 67.6 | 4.5 | 12.0 | K32-50 | 10 |                  |
| HSM-EMV-M50(32-38)/K | M50X1.5           | 38.0 | 57.0             | 43.5 | 68.7 | 5.0 | 12.0 | K40-60 | 5  |                  |
| HSM-EMV-M63(37-44)/K | M63X1.5           | 44.0 | 70.0             | 49.0 | 69.3 | 5.5 | 12.0 | K50-70 | 5  |                  |