

35/36

RSF Straight fitting-fixed external thread

Material; Polyamide 66

Colour: Black(BL)

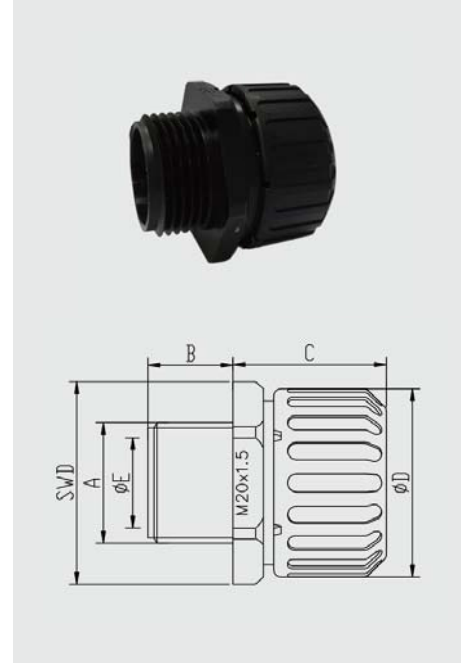
Temperature range: -45°C ~ +120°C , short-term to 150°C

Protection Degree: IP67

Properties: Save installation space



ULtest EN45545
 China Railway NO.67 test



METRIC THREAD

Fits to Conduit size	Part no.	Special no.	A Thread	B	C	D	E	F	Packing (pcs)
10	RSF10-M16-A	-	M16X1.5	11.5	22.5	22.8	10.7	21.7	50
13	RSF13-M16-A	DLPA66-10-M18x1.5-31	M16X1.5	11.5	22.5	22.8	10.7	21.7	50
16	RSF16-M16-A	DLPA66-12-M20x1.5-36	M16X1.5	11.5	22.5	26.0	10.7	26.7	50
21	RSF21-M20-A	DLPA66-17-M22x1.5-40	M20X1.5	14.0	25.2	31.0	15.0	29.7	50
28	RSF28-M25-A	DLPA66-23-M28x1.5-38	M25X1.5	15.2	27.8	39.0	19.0	37.7	50
28	RSC28-M25-A	-	M25X1.5	15.2	27.8	39.0	19.0	37.7	50
34	RSF34-M32-A	DLPA66-29-M36x1.5-41	M32X1.5	16.0	32.8	46.1	25.7	45.7	30
34	RSC34-M32-A	-	M32X1.5	16.0	32.8	46.1	25.7	45.7	30
42	RSC42-M40-A	DLPA66-36-M45x1.5-42	M40X1.5	16.0	42.5	58.0	31.0	58.5	30
54	RSC54-M50-A	DLPA66-48-M58x1.5-42	M50X1.5	16.0	42.5	71.7	41.0	72.5	20

PG THREAD

Fits to Conduit size	Part no.	Special no.	A Thread	B	C	D	E	F	Packing (pcs)
10	RSF10-PG9-A	-	PG9	10.0	20.0	22.8	10.7	21.7	50
13	RSF13-PG9-A	DLPA66-10-PG9	PG9	10.0	20.0	26.0	10.7	21.7	50
16	RSF16-PG11-A	DLPA66-12-PG11	PG11	10.0	22.5	26.0	13.8	26.7	50
21	RSF21-PG16-A	DLPA66-17-PG16	PG16	11.2	25.2	31.0	17.9	29.7	50
28	RSF28-PG21-A	DLPA66-23-PG21	PG21	12.2	27.8	39.0	22.6	37.7	50
28	RSC28-PG21-A	-	PG21	12.2	27.8	39.0	22.6	37.7	50
34	RSF34-PG29-A	DLPA66-29-PG29	PG29	12.2	32.8	46.1	31.0	45.7	30
34	RSC34-PG29-A	-	PG29	12.2	32.8	46.1	31.0	45.7	30
42	RSC42-PG36-A	DLPA66-36-PG36	PG36	12.0	36.0	59.0	37.9	58.5	30
54	RSC54-PG48-A	DLPA66-48-PG48	PG48	12.0	42.5	71.7	49.5	72.5	20

Note: Special no. is for China railway passenger cars, other passenger vehicles, motor trains unit and special vehicle exclusive models