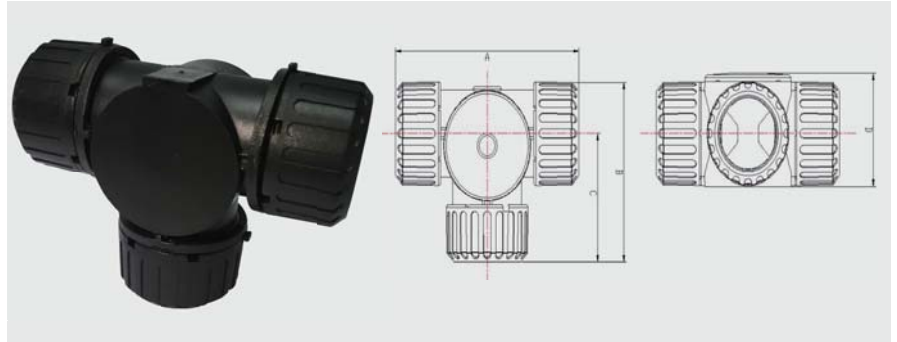


## T Fitting

CE  ULtest EN45545

China Railway No.67 test



Material: Polyamide 6

Colour: Black(BL)

Temperature range: -45°C~+120°C , short-term to 150°C

Protection Degree: IP67(For use with conduits)

Properties: Free of halogen and cadmium, very high impact resistance, high conduit pull out strength

Fits to Conduit size	Part no.	Special no.	A Thread	B	C	D	Packing (pcs)
13	ASF 13X3/T	TPA66-10-2X10	68.5	50.0	38.7	26.8	10
16	ASF 16X3/T	TPA66-12-2X12	69.5	50.5	37.6	30.7	10
21	ASF 21X3/T	TPA66-17-2X17	80.0	58.0	42.7	35.0	10
28	ASF 28X3/T	TPA66-23-2X23	95.0	71.0	51.5	43.0	10
34	ASF 34X3/T	TPA66-29-2X29	109.0	84.0	61.0	51.0	10

## T fitting conversion adapter



Material: Rubber

Colour: Black(BL)

Temperature range: -40°C~+120°C

Reduce to conduit size 10	Reduce to conduit size 13	Reduce to conduit size 16	Reduce to conduit size 21	Reduce to conduit size 28	Packing (pcs)
RKC13-10	-	-	-	-	10
RKC16-10	RKC16-13	-	-	-	10
RKC21-10	RKC21-13	RKC21-16	-	-	10
-	RKC28-13	RKC28-16	RKC28-21	RKC34-28	10
-	-	-	RKC34-21	-	10

Note: Special no. is for China railway passenger cars, other passenger vehicles, motor trains unit and special vehicle exclusive models