

57/58

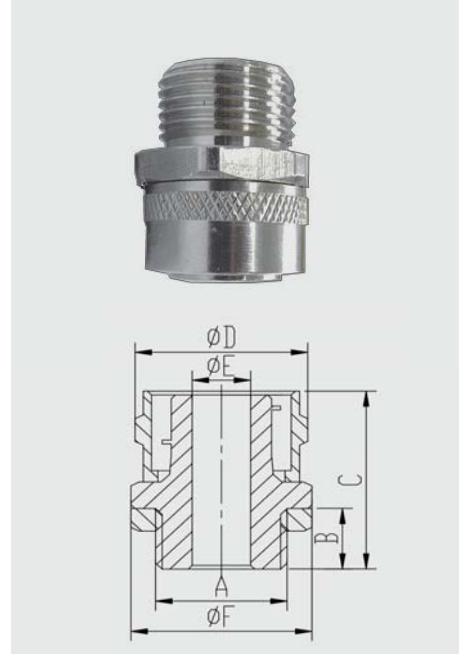
Galvanized iron external thread Straight fitting

Material: Galvanized iron

Temperature range: -40°C ~ +125°C

Protection Degree: IP54

Fitting conduits: SC, SPC, SPLC, SBC, SSC, SPUL, RPC, SSPC



METRIC THREAD

| Fits to conduit size | Part no. | A Thread | B | C | D | E | F | Packing (pcs) |
|----------------------|-------------|-------------|------|------|------|------|------|------------------|
| 5/16" | SPC12-M16-C | M16X1.5 | 8.0 | 23.0 | 18.0 | 7.2 | 22.0 | 50 |
| 3/8" | SPC16-M16-C | M16X1.5 | 10.0 | 25.5 | 21.0 | 10.3 | 22.0 | 50 |
| 3/8" | SPC16-M20-C | M20X1.5 | 10.0 | 25.5 | 21.0 | 10.3 | 27.0 | 50 |
| 1/2" | SPC20-M20-C | M20X1.5 | 13.0 | 29.0 | 25.0 | 13.5 | 27.0 | 50 |
| 3/4" | SPC25-M25-C | M25X1.5 | 12.0 | 36.5 | 29.7 | 18.0 | 35.0 | 50 |
| 1" | SPC32-M32-C | M32X1.5 | 14.0 | 39.0 | 36.0 | 23.0 | 41.0 | 50 |
| 1 1/4" | SPC40-M40-C | M40X1.5 | 15.0 | 43.0 | 45.0 | 32.0 | 53.0 | 25 |
| 1 1/2" | SPC45-M50-C | M50X1.5 | 15.0 | 45.0 | 50.0 | 37.4 | 66.0 | 20 |
| 2" | SPC57-M63-C | M63X1.5 | 20.0 | 57.0 | 61.0 | 47.5 | 74.0 | 10 |
| 2 1/2" | SPC70-M70-C | M70X1.5 | 20.0 | 60.0 | 78.0 | 60.0 | 84.0 | 10 |

PG THREAD

| Fits to conduit size | Part no. | A Thread | B | C | D | E | F | Packing (pcs) |
|----------------------|--------------|-------------|------|------|------|------|------|------------------|
| 5/16" | SPC12-PG9-C | PG9 | 8.0 | 23.0 | 18.0 | 7.2 | 22.0 | 50 |
| 3/8" | SPC16-PG11-C | PG11 | 10.0 | 25.5 | 21.0 | 10.3 | 25.0 | 50 |
| 1/2" | SPC20-PG16-C | PG16 | 13.0 | 29.0 | 25.0 | 13.5 | 28.0 | 50 |
| 3/4" | SPC25-PG21-C | PG21 | 12.0 | 36.5 | 29.7 | 18.0 | 30.0 | 50 |
| 1" | SPC32-PG29-C | PG29 | 14.0 | 39.0 | 36.0 | 23.0 | 38.0 | 50 |
| 1 1/4" | SPC40-PG36-C | PG36 | 15.0 | 43.0 | 45.0 | 32.0 | 45.0 | 25 |
| 1 1/2" | SPC45-PG42-C | PG42 | 15.0 | 45.0 | 50.0 | 37.4 | 59.0 | 20 |
| 2" | SPC57-PG48-C | PG48 | 20.0 | 57.0 | 61.0 | 47.5 | 69.0 | 10 |