

Zinc alloy internal thread Straight Fitting

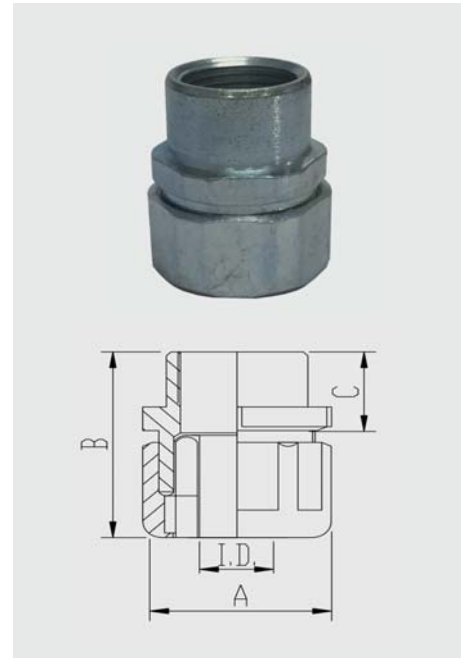
Material: Zinc alloy with zinc, chromium plated

Temperature range: -40°C ~ +120°C , short-term to 150°C

Protection Degree: IP65

Fitting conduits: SC, SPC, SPLC,SBC,SSC,SPUL,RPC,SSPC

Properties: Thickened in zinc alloy with zinc or hard chromium, perfect appearance, compact structure and high strength. Masterly design of sheath and button up, matching tight equipment that bring timesaving, advantage and high stretching resistance. Waterproof, dustproof, resistance to salt, acid base, alcohol, oils, fats and other ordinary dissolvent.



METRIC THREAD

Fits to conduit size	Part no.	Thread	I.D	A	B	C	D	Packing (pcs)
5/16"	SPC12-M12-FA	M12X1.5	8.5	21.0	37.0	17.0	12.0	50
3/8"	SPC16-M16-FA	M16X1.5	11.2	27.6	37.0	17.0	16.0	50
1/2"	SPC20-M20-FA	M20X1.5	14.8	34.5	37.0	17.5	20.0	50
3/4"	SPC25-M30-FA	M30X2.0	18.7	41.5	47.0	21.5	30.0	50
1"	SPC32-M33-FA	M33X2.0	24.8	47.5	48.0	23.0	33.0	50
1 1/4"	SPC40-M42-FA	M42X2.0	33.1	57.0	59.3	29.0	42.0	25
1 1/2"	SPC45-M48-FA	M48X2.0	38.0	70.5	69.0	28.0	48.0	20
2"	SPC57-M60-FA	M60X2.0	48.8	85.0	69.3	28.3	60.0	10

PF THREAD

Fits to conduit size	Part no.	Thread	I.D	A	B	C	D	Packing (pcs)
5/16"	SPC16-PF3/8" -FA	PF3/8"	8.5	21.0	37.0	17.0	16.6	50
3/8"	SPC16-PF1/2" -FA	PF1/2"	14.6	30.0	35.3	18.5	19.2	50
1/2"	SPC20-PF1/2" -FA	PF1/2"	14.8	34.5	37.0	17.5	19.6	50
3/4"	SPC25-PF3/4" -FA	PF3/4"	19.0	35.0	36.0	17.5	24.7	50
1"	SPC32-PF1" -FA	PF1"	24.5	41.5	39.0	19.0	31.0	50
1 1/4"	SPC40-PF1 1/4" -FA	PF1 1/4"	33.7	52.0	43.0	21.0	39.7	25
1 1/2"	SPC45-PF1 1/2" -FA	PF1 1/2"	37.7	59.0	46.5	23.0	45.7	20
2"	SPC57-PF2" -FA	PF2"	49.0	73.0	53.0	26.0	57.3	10
2 1/2"	SPC70-PF2 1/2" -FA	PF2 1/2"	61.5	89.0	62.5	30.0	73.1	5
3"	SPC85-PF3" -FA	PF3"	74.0	102.0	63.0	30.0	85.7	2
4"	SPC110-PF4" -FA	PF4"	98.5	133.0	75.5	37.0	100.6	2