

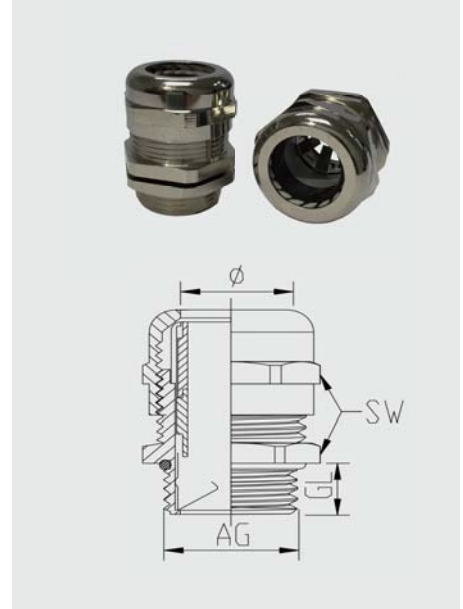
## EMV Metal Cable Gland

Body Material: Nickel-plated brass

Sealing Material: Nylon 66 and NBR

Temperature range: -40°C ~ +100°C , short-term to 120°C

Protection Degree: IP68(Using O-sealing)



### METRIC THREAD

Thread	Part no.	Clamping range	GL	Dimension(mm) AG	SW	Packing ( pcs)
M12X1.5	HSM-EMV-M12(3-6.5)	3-6.5	5.0	12.0	14.0	50
M16X1.5	HSM-EMV-M16(4-8)	4-8	6.0	16.0	18.0	50
M18X1.5	HSM-EMV-M18(5-10)	5-10	6.0	18.0	20.0	50
M20X1.5	HSM-EMV-M20(6-12)	6-12	7.0	20.0	22.0	50
M24X1.5	HSM-EMV-M24(8-14)	8-14	7.0	24.0	27.0	25
M25X1.5	HSM-EMV-M25(10-16)	10-16	12.0	25.0	27.0	25
M25X1.5	HSM-EMV-M25(13-18)	13-18	13.0	25.0	27.0	25
M30X1.5	HSM-EMV-M30(13-18)	13-18	8.0	30.0	35.0	25
M32X1.5	HSM-EMV-M32(15-22)	15-22	13.0	32.0	35.0	20
M32X1.5	HSM-EMV-M32(18-25)	18-25	13.0	32.0	40.0	20
M36X2.0	HSM-EMV-M36(18-25)	18-25	8.0	36.0	40.0	20
M40X1.5	HSM-EMV-M40(21-30)	21-30	9.0	40.0	50.0	20
M40X1.5	HSM-EMV-M40(22-32)	22-32	9.0	40.0	50.0	20
M48X2.0	HSM-EMV-M48(22-32)	22-32	9.0	48.0	50.0	20
M50X1.5	HSM-EMV-M50(30-38)	30-38	9.0	50.0	57.0	10
M56X1.5	HSM-EMV-M56(30-38)	30-38	9.0	50.0	57.0	10
M63X1.5	HSM-EMV-M63(37-44)	37-44	10.0	63.0	65.0	5

### PG THREAD

Thread	Part no.	Clamping range	GL	Dimension(mm) AG	SW	Packing ( pcs)
PG7	HSM-EMV-PG7(3-6.5)	3-6.5	5.0	12.5	14.0	50
PG9	HSM-EMV-PG9(4-8)	4-8	6.0	15.2	18.0	50
PG11	HSM-EMV-PG11(5-10)	5-10	6.0	18.6	20.0	50
PG13.5	HSM-EMV-PG13.5(6-12)	6-12	7.0	20.4	24.0	50
PG16	HSM-EMV-PG16(8-14)	8-14	7.0	22.5	24.0	25
PG21	HSM-EMV-PG21(13-18)	13-18	8.0	28.3	30.0	25
PG29	HSM-EMV-PG29(18-25)	18-25	8.0	37.0	40.0	20
PG36	HSM-EMV-PG36(22-32)	22-32	9.0	47.0	50.0	20
PG42	HSM-EMV-PG42(30-38)	30-38	9.0	54.0	60.0	10