

# 79/80

## EMV End type Cable Gland

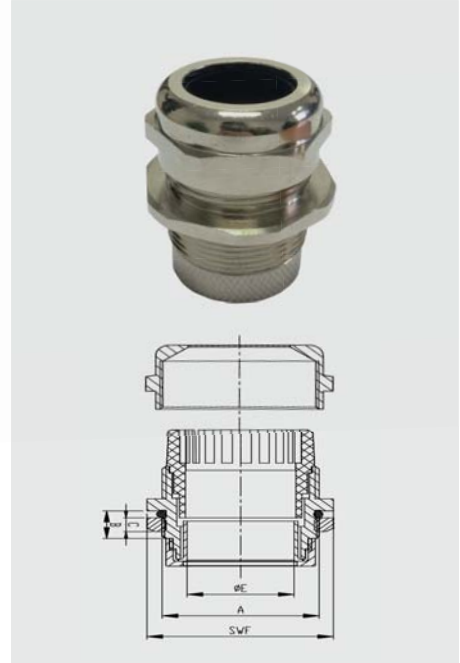


Material: Nickel-plated brass

Temperature range: -40°C ~ +100°C , short-term to 120°C

Protection Degree: IP68(Using O-sealing)

Properties: Resistant to EMI shielding free of halogen, and cadmium, with excellent impact strength.



Part no.	Dimension						Packing (pcs)
	A Thread	B	C	E	F		
HSM-M25-AJ(10-16)/EMV-AD-7	M25X1.5	7.0	3.2	14.8	27.0	25	
HSM-M25-AJ(10-16)/EMV-AD-12	M25X1.5	12.0	3.2	14.8	27.0	25	
HSM-M25-AJ(13-18)/EMV-AD-7	M25X1.5	7.0	3.2	14.8	30.0	25	
HSM-M25-AJ(13-18)/EMV-AD-12	M25X1.5	12.0	3.2	14.8	30.0	25	
HSM-M32-AJ(15-22)/EMV-AD-8	M32X1.5	8.0	4.0	21.8	35.0	20	
HSM-M32-AJ(15-22)/EMV-AD-13	M32X1.5	13.0	4.0	21.8	35.0	20	
HSM-M32-AJ(18-25)/EMV-AD-8	M32X1.5	8.0	4.0	21.8	40.0	20	
HSM-M32-AJ(18-25)/EMV-AD-13	M32X1.5	13.0	4.0	21.8	40.0	20	
HSM-M40-AJ(18-25)/EMV-AD-8	M40X1.5	8.0	4.5	29.8	45.0	20	
HSM-M40-AJ(18-25)/EMV-AD-13	M40X1.5	13.0	4.5	29.8	45.0	20	
HSM-M40-AJ(22-32)/EMV-AD-8	M40X1.5	8.0	4.5	29.8	50.0	20	
HSM-M40-AJ(22-32)/EMV-AD-13	M40X1.5	13.0	4.5	29.8	50.0	20	
HSM-M50-AJ(32-28)/EMV-AD-9	M50X1.5	9.0	5.0	39.8	57.0	10	
HSM-M50-AJ(32-38)/EMV-AD-14	M50X1.5	14.0	5.0	39.8	57.0	10	