

# 全金属黄铜管接头

## All-metal brass Fitting

材质：黄铜镀镍，不锈钢

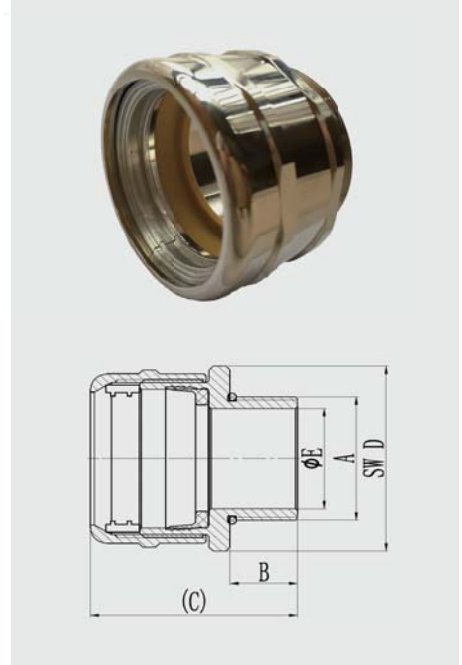
Material: Nickel-plated brass, stainless steel

防护等级：IP68(与软管配合使用)

Protection Degree: IP68(For use with conduits)

应用：轨道交通

Application: Rail transit



### M 螺纹

适配软管尺寸 Fits to Conduit size	黄铜镀镍型号 Nickel-plated brass Part no.	不锈钢型号 Stainless steel Part no.	螺纹 A Thread	B	C	D	E	包装(个) Packing
13	RSC13-M16-M	RSC13-M16-M/B	M16X1.5	11.5	35.5	22.0	10.5	50
16	RSC16-M16-M	RSC16-M16-M/B	M16X1.5	11.5	32.5	25.0	11.0	50
21	RSC21-M20-M	RSC21-M20-M/B	M20X1.5	14.0	42.5	30.0	15.0	50
28	RSC28-M25-M	RSC28-M25-M/B	M25X1.5	15.0	46.2	34.0	20.0	50
34	RSC34-M32-M	RSC34-M32-M/B	M32X1.5	16.0	49.0	46.0	26.0	50
42	RSC42-M40-M	RSC42-M40-M/B	M40X1.5	16.0	51.6	55.0	34.0	25
54	RSC54-M50-M	RSC54-M50-M/B	M50X1.5	16.0	50.5	66.0	45.0	20
54	RSC54-M63-M	RSC54-M63-M/B	M63X1.5	16.0	50.5	70.0	47.0	20

### PG 螺纹

适配软管尺寸 Fits to Conduit size	黄铜镀镍型号 Nickel-plated brass Part no.	不锈钢型号 Stainless steel Part no.	螺纹 A Thread	B	C	D	E	包装(个) Packing
13	RSC13-PG9-M	RSC13-PG9-M/B	PG9	10.0	33.5	22.0	10.5	50
16	RSC16-PG11-M	RSC16-PG11-M/B	PG11	10.0	31.2	25.0	11.5	50
21	RSC21-PG16-M	RSC21-PG16-M/B	PG16	11.0	39.5	30.0	15.0	50
28	RSC28-PG21-M	RSC28-PG21-M/B	PG21	12.0	43.0	34.0	21.3	50
34	RSC34-PG29-M	RSC34-PG29-M/B	PG29	12.0	45.7	46.0	28.0	50
42	RSC42-PG36-M	RSC42-PG36-M/B	PG36	12.0	47.5	55.0	36.0	25
54	RSC54-PG48-M	RSC54-PG48-M/B	PG48	12.0	47.0	66.0	47.0	20