

31/32

EMC Straight fitting with strain relief



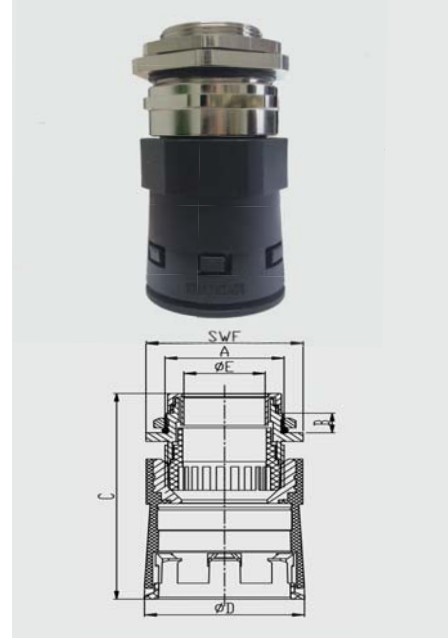
Material: Polyamide 66, Nickel plated brass thread

Colour: Black(BL) /Grey(GR)

Temperature range: -45°C ~ +120°C , short-term to 150°C

Protection Degree: IP66, IP68(For use with conduits & RLS seal)

Properties: High shielding alternation and low coupling resistance. Disturbance signals such as electrical signals and magnetic fields will be discharged to the housing/casing. Easy and quick installation. Fasten the cable.



CE ULtest EN45545

METRIC THREAD

Fits to Conduit size	Part no.	A Thread	B	C	D	E	F	Packing (pcs)
28	RL28-M25-AJ(10-16)/EMV-AD-7	M25X1.5	7.0	77.8	36.5	14.8	30.0	50
28	RL28-M25-AJ(10-16)/EMV-AD-12	M25X1.5	12.0	82.8	36.5	14.8	30.0	50
28	RL28-M25-AJ(13-18)/EMV-AD-7	M25X1.5	7.0	78.2	36.5	14.8	35.0	50
28	RL28-M25-AJ(13-18)/EMV-AD-12	M25X1.5	12.0	83.2	36.5	14.8	35.0	50
34	RL34-M32-AJ(15-22)/EMV-AD-8	M32X1.5	8.0	84.1	43.0	21.8	40.0	50
34	RL34-M32-AJ(15-22)/EMV-AD-13	M32X1.5	13.0	89.1	43.0	21.8	40.0	50
34	RL34-M32-AJ(18-25)/EMV-AD-8	M32X1.5	8.0	86.5	43.0	21.8	40.0	50
34	RL34-M32-AJ(18-25)/EMV-AD-13	M32X1.5	13.0	91.5	43.0	21.8	40.0	50
42	RL42-M40-AJ(18-25)/EMV-AD-8	M40X1.5	8.0	100.8	53.0	29.8	45.0	25
42	RL42-M40-AJ(18-25)/EMV-AD-13	M40X1.5	13.0	105.8	53.0	29.8	45.0	25
42	RL42-M40-AJ(22-32)/EMV-AD-8	M40X1.5	8.0	103.0	53.0	29.8	45.0	25
42	RL42-M40-AJ(22-32)/EMV-AD-13	M40X1.5	13.0	108.0	53.0	29.8	45.0	25
54	RL54-M50-AJ(32-38)/EMV-AD-9	M50X1.5	9.0	108.0	66.0	39.8	55.0	20
54	RL54-M50-AJ(32-38)/EMV-AD-14	M50X1.5	14.0	113.0	66.0	39.8	55.0	20