

EMC Straight fitting

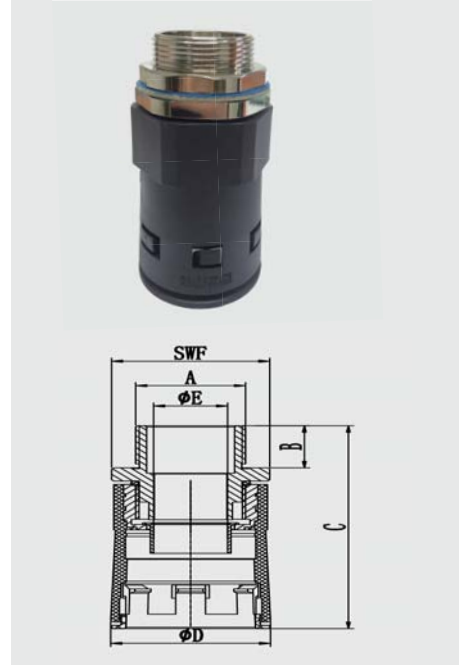


Material: Polyamide 66, Nickel plated brass thread

Colour: Black(BL) /Grey(GR)

Temperature range: -45°C ~ +120°C , short-term to 150°C Protection Degree: IP66, IP68(For use with conduits & RLS seal)

Properties: High shielding alternation and low coupling resistance. Disturbance signals such as electrical signals and magnetic fields will be discharged to the housing/casing. Easy and quick installation.



CE ULtest EN45545

METRIC THREAD

Fits to Conduit size	Part no.	A Thread	B	C	D	E	F	Packing (pcs)
21	RL21-M20-SA-EMV-AD	M20X1.5	14.0	71.4	28.0	11.8	27.0	50
28	RL28-M25-SA-EMV-AD	M25X1.5	16.0	77.0	36.5	16.8	34.0	50
34	RL34-M32-SA-EMV-AD	M32X1.5	16.0	79.3	43.0	21.8	40.0	20
42	RL42-M40-SA-EMV-AD	M40X1.5	16.0	95.0	53.0	30.8	52.0	20
54	RL54-M50-SA-EMV-AD	M50X1.5	16.0	101.5	66.0	42.8	62.0	10
54	RL54-M63-SA-EMV-AD	M63X1.5	16.0	101.5	66.0	42.8	70.0	10

PG THREAD

Fits to Conduit size	Part no.	A Thread	B	C	D	E	F	Packing (pcs)
21	RL21-PG13-SA-EMV-AD	PG13	13.0	70.4	28.0	11.8	27.0	50
21	RL21-PG16-SA-EMV-AD	PG16	13.0	70.4	28.0	11.8	27.0	50
28	RL28-PG21-SA-EMV-AD	PG21	14.0	75.0	36.5	16.8	34.0	20
34	RL34-PG29-SA-EMV-AD	PG29	14.0	77.3	43.0	21.8	40.0	20
42	RL42-PG36-SA-EMV-AD	PG36	17.0	96.0	53.0	30.8	52.0	10
54	RL54-PG48-SA-EMV-AD	PG48	17.0	102.5	66.0	42.8	70.0	10