

15/16

RL Nylon internal thread straight fitting

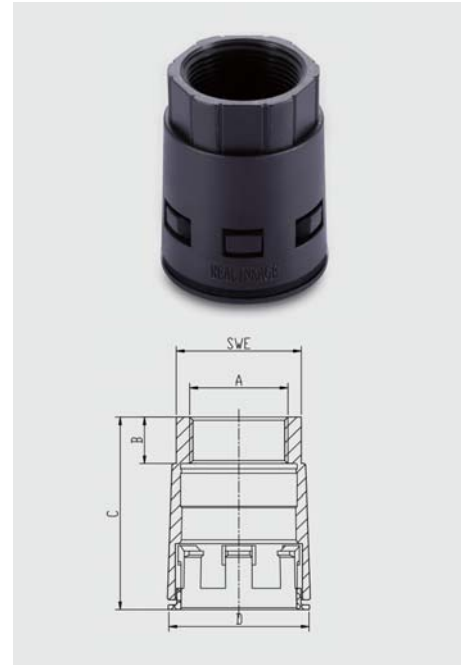
Material: Polyamide 66

Colour: Black(BL)

Temperature range: -45°C ~ +120°C , short-term to 150°C

Protection Degree: IP66, IP68(For use with conduits & RLS seal)

CE  ULtest EN45545



METRIC THREAD

Fits to Conduit size	Part no.	A Thread	B	C	D	E	Packing (pcs)
13	RL13-M16-FA	M16X1.5	10.0	41.2	20.0	21.0	50
16	RL16-M16-FA	M16X1.5	10.0	43.0	22.0	21.0	50
21	RL21-M20-FA	M20X1.5	12.0	46.8	28.5	25.0	50
28	RL28-M25-FA	M25X1.5	12.0	47.0	37.0	30.0	50
34	RL34-M32-FA	M32X1.5	17.5	52.5	43.5	37.0	30
42	RL42-M40-FA	M40X1.5	17.5	64.5	53.0	45.0	30
54	RL54-M50-FA	M50X1.5	17.5	70.2	66.0	55.0	10

PG THREAD

Fits to Conduit size	Part no.	A Thread	B	C	D	E	Packing (pcs)
13	RL13-PG9-FA	PG9	11.5	42.5	20.0	21.0	50
16	RL16-PG11-FA	PG11	15.0	48.0	22.0	24.0	50
21	RL21-PG16-FA	PG16	16.0	50.8	28.5	28.0	50
28	RL28-PG21-FA	PG21	16.0	51.0	37.0	34.0	50
34	RL34-PG29-FA	PG29	17.5	52.5	43.5	42.0	30
42	RL42-PG36-FA	PG36	17.5	64.5	53.0	52.0	30
54	RL54-PG48-FA	PG48	17.5	70.2	66.0	64.0	10