

RL Straight fitting with metal internal thread

Material: Polyamide 66, Nickel plated brass thread

Colour: Black(BL) /Grey(GR)

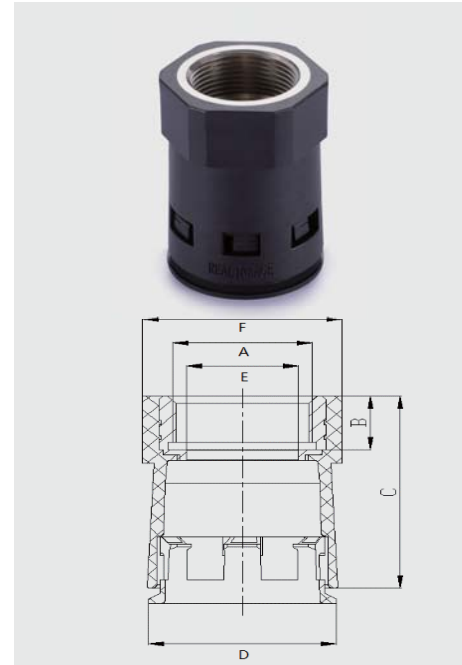
Temperature range: -45°C ~ +120°C , short-term to 150°C

Protection Degree: IP66, IP68(For use with conduits & RLS seal)

Properties: Self-extinguishing, free of halogen, phosphor and cadmium, with excellent impact strength.



ULtest EN45545
 China Railway No.67 test



METRIC THREAD

Fits to Conduit size	Part no.	Special no.	A Thread	B	C	D	E	F	Packing (pcs)
13	RL13-M16-SFA	LPA66-10-1/4	M16X1.5	13.5	54.2	20.0	10.7	24.0	50
16	RL16-M16-SFA	LPA66-12-3/8	M16X1.5	14.0	56.2	22.0	11.0	27.0	50
21	RL21-M20-SFA	LPA66-17-1/2	M20X1.5	14.0	47.5	28.5	15.0	32.0	50
28	RL28-M25-SFA	LPA66-23-3/4	M25X1.5	15.0	52.0	37.0	20.0	37.0	50
34	RL34-M32-SFA	LPA66-29-1	M32X1.5	15.0	53.3	43.5	25.5	47.0	30
42	RL42-M40-SFA	LPA66-36-1-1/4	M40X1.5	16.0	65.5	53.0	32.0	53.0	30
54	RL54-M50-SFA	LPA66-48-1-1/2	M50X1.5	16.0	73.5	66.0	42.5	63.0	10

PG THREAD

Fits to Conduit size	Part no.	Special no.	A Thread	B	C	D	E	F	Packing (pcs)
13	RL13-PG9-SFA	LPA66-10-PG9	PG9	12.0	52.2	20.0	10.5	24.0	50
16	RL16-PG11-SFA	LPA66-12-PG11	PG11	12.0	54.0	22.0	11.0	27.0	50
21	RL21-PG13-SFA	LPA66-17-PG13	PG13	14.0	57.7	28.5	14.5	32.0	50
21	RL21-PG16-SFA	LPA66-17-PG16	PG16	14.0	58.2	28.5	17.5	34.0	50
28	RL28-PG21-SFA	LPA66-23-PG21	PG21	14.0	60.8	37.0	20.5	39.0	50
34	RL34-PG29-SFA	LPA66-29-PG29	PG29	14.0	61.8	43.5	29.0	49.0	30
42	RL42-PG36-SFA	LPA66-36-PG36	PG36	16.0	73.6	53.0	38.0	59.0	30
54	RL54-PG48-SFA	LPA66-48-PG48	PG48	16.0	82.7	66.0	49.0	70.0	10

Note: Special no. is for China railway passenger cars, other passenger vehicles, motor trains unit and special vehicle exclusive models

17/18

RL Straight fitting with metal internal thread

Material: Polyamide 66, Nickel plated brass thread

Colour: Black(BL) /Grey(GR)

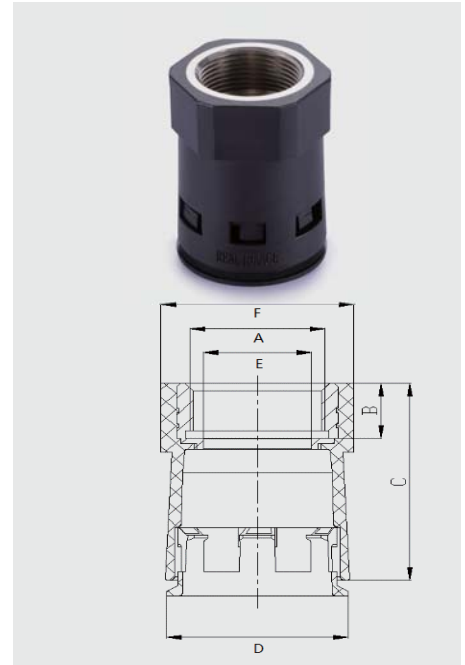
Temperature range: -45°C ~ +120°C , short-term to 150°C

Protection Degree: IP66, IP68(For use with conduits & RLS seal)

Properties: Self-extinguishing, free of halogen, phosphor and cadmium, with excellent impact strength.



ULtest EN45545
 China Railway No.67 test



UNEF THREAD

Fits to Conduit size	Part no.	Special no.	A Thread	B	C	D	E	F	Packing (pcs)
13	RL13-U063-SFA	-	5/8" -24	14.0	54.2	20.0	10.7	24.0	50
16	RL16-U063-SFA	-	5/8" -24	14.0	56.2	22.0	11.0	27.0	50
16	RL16-U075-SFA	-	3/4" -20	14.0	56.2	22.0	11.0	27.0	50
21	RL21U-075-SFA	-	3/4" -20	14.0	47.5	28.5	15.0	32.0	50
21	RL21-U081-SFA	-	13/16" -20	14.0	47.5	28.5	15.0	32.0	50
28	RL28-U094-SFA	-	15/16" -20	15.0	52.0	37.0	20.0	37.0	50
28	RL28-U100-SFA	-	1" -20	15.0	52.0	37.0	20.0	37.0	50
34	RL34-U113-SFA	-	1 1/8" -18	15.0	53.3	43.5	25.5	47.0	30
34	RL34-U119-SFA	-	1 3/16" -18	15.0	53.3	43.5	25.5	47.0	30
34	RL34-U125-SFA	-	1 1/4" -18	15.0	53.3	43.5	25.5	47.0	30
34	RL34-U131-SFA	-	1 5/16" -18	15.0	53.3	43.5	25.5	47.0	30
34	RL34-U138-SFA	-	1 3/8" -18	15.0	53.3	43.5	25.5	47.0	30
42	RL42-U144-SFA	-	1 7/16" -18	16.0	65.5	53.0	32.0	53.0	30
42	RL42-U175-SFA	-	1 3/4" -18	16.0	65.5	53.0	32.0	53.0	30
54	RL54-U200-SFA	-	2" -18	16.0	73.5	66.0	42.5	63.0	10

Note: Special no. is for China railway passenger cars, other passenger vehicles, motor trains unit and special vehicle exclusive models