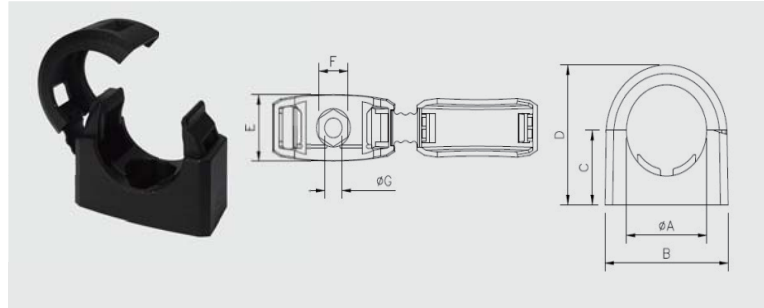


# 41/42

## Conduit Clips



Material: Polyamide 66  
 Colour: Black(BL)  
 Temperature range: -45°C~+120°C

Fits to Conduit size	Part no.	B	C	D	E	F	G	Packing (pcs)
10	RCB10	22.6	12.9	23.3	11.6	7.5	4.2	50
13	RCB13	22.6	12.9	23.3	11.6	7.5	4.2	50
16	RCB16	26.7	15.1	26.9	13.7	8.8	5.1	50
21	RCB21	33.8	19.5	34.9	17.5	10.4	6.1	50
28	RCB28	43.8	23.4	43.7	20.7	10.3	6.1	25
34	RCB34	52.8	26.9	51.6	23.2	10.2	6.2	25
42	RCB42	64.5	32.4	62.5	27.0	10.2	6.2	10
54	RCB54	81.0	38.5	77.0	32.1	10.2	6.2	10

## Nylon Locknuts



Material: Polyamide 6  
 Colour: Black(BL)  
 Temperature range: -45°C~+120°C

thread	Part no.	Packing (pcs)
M12	LNPB-M12	50
M16	LNPB-M16	50
M20	LNPB-M20	50
M25	LNPB-M25	25
M32	LNPB-M32	25
M40	LNPB-M40	20
M50	LNPB-M50	20
M63	LNPB-M63	20

thread	Part no.	Packing (pcs)
PG7	LNPB-PG7	50
PG9	LNPB-PG9	50
PG11	LNPB-PG11	50
PG13.5	LNPB-PG13	50
PG16	LNPB-PG16	50
PG21	LNPB-PG21	20
PG29	LNPB-PG29	20
PG36	LNPB-PG36	20
PG42	LNPB-PG42	20
PG48	LNPB-PG48	20