

## PVC 按扣套管

### PVC button wrap

材质：PVC

Material: PVC

颜色：灰灰色 / 深灰色

Colour: Grey/Dark grey

温度：-15°C~+85°C

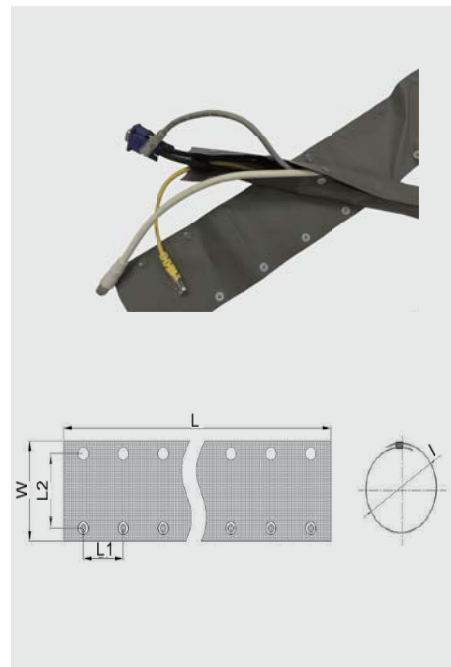
Temperature range: -15°C~+85°C

阻燃等级：UL94-V0

Flame-retardant: UL94-V0

特性：采用 PVC 材料加独特的扣子制成，可以用于电线、电缆的整理和美化，使用较为方便快捷。具有可以重复使用、绝缘效果好、阻燃性好等特点。使用这一套管有利于多股线材的改线或重装，方便保养和检修。

Properties: PVC button wrap can tidy up and beautify the wiring fast and easily, it is reusable and has excellent performance of insulation and abrasion resistance. It's great for harness work and allows breakouts of single or multiple wires for re-routing or replacement.



型号 Part no.	内径 I.D(mm) Inside diameter	展开宽度 (mm) Spread width	包装 (米 / 卷) Packing
AK-012-G/G	12	60	75
AK-019-G/G	19	80	75
AK-025-G/G	25	100	75
AK-031-G/G	31	120	75
AK-037-G/G	37	140	75
AK-044-G/G	44	160	75
AK-050-G/G	50	180	75
AK-057-G/G	57	202	75
AK-070-G/G	70	242	75
AK-100-G/G	100	335	75
AK-150-G/G	150	495	75