

# 45/46

## 非石棉垫片 Flat-sealing

材质：不含石棉垫片

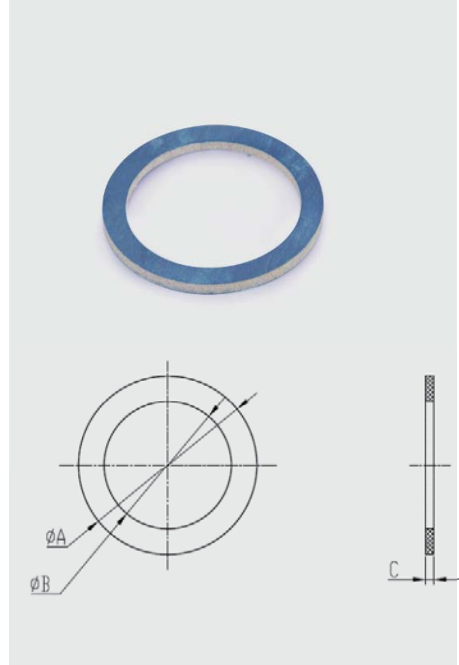
Material: Tesnit (asbestos-free)

温度：-40°C~+120°C

Temperature range: -40°C~ +120°C

特性：扁平垫圈，用于各种软管接头，抗震，保证防护等级达到 IP68

Properties: Flat-sealing is applied to all kinds of fittings for seismic resistance, protection degree can achieve IP68



### M 螺纹

适配螺纹 For Thread	型号 Part no.	A	B	C	包装 (个) Packing
M12	SWCHM12	17.0	12.0	1.5	50
M16	SWCHM16	21.0	16.0	1.5	50
M20	SWCHM20	25.0	20.0	1.5	50
M25	SWCHM25	35.0	25.0	1.5	50
M32	SWCHM32	42.0	32.0	1.5	50
M40	SWCHM40	52.0	40.0	1.5	50
M50	SWCHM50	62.0	50.0	1.5	50
M63	SWCHM63	70.0	63.0	1.5	50

### PG 螺纹

适配螺纹 For Thread	型号 Part no.	A	B	C	包装 (个) Packing
PG7	SWCHPG7	16.0	12.5	1.5	50
PG9	SWCHPG9	20.0	15.2	1.5	50
PG11	SWCHPG11	24.0	18.6	1.5	50
PG13	SWCHPG13	27.5	20.4	1.5	50
PG16	SWCHPG16	29.5	22.5	1.5	50
PG21	SWCHPG21	34.0	28.3	1.5	25
PG29	SWCHPG29	44.0	37.0	1.5	25
PG36	SWCHPG36	52.0	47.0	1.5	25
PG48	SWCHPG48	72.0	59.5	1.5	10