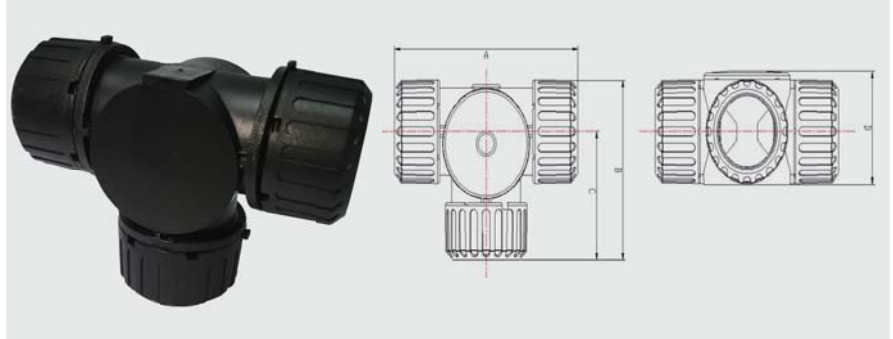


39/40

T 型防水三通接头 T Fitting

CE  UL测试 EN45545
已通过铁道客车 67 号文件测试



材质：尼龙 66
颜色：黑色
温度：-45°C~+120°C，短时间 150°C
防护等级：IP67(与软管配合使用)
特性：不含卤素和镉，极高的抗冲击强度，高强度的抗拉性能

Material: Polyamide 6
Colour: Black(BL)
Temperature range: -45°C~+120°C, short-term to 150°C
Protection Degree: IP67(For use with conduits)
Properties: Free of halogen and cadmium, very high impact resistance, high conduit pull out strength

适配软管尺寸 Fits to Conduit size	型号 Part no.	铁路专属型号① Special no.	A	B	C	D	包装(个) Packing
13	ASF13X3/T	TPA66-10-2X10	68.5	50.0	38.7	26.8	10
16	ASF16X3/T	TPA66-12-2X12	69.5	50.5	37.6	30.7	10
21	ASF21X3/T	TPA66-17-2X17	80.0	58.0	42.7	35.0	10
28	ASF28X3/T	TPA66-23-2X23	95.0	71.0	51.5	43.0	10
34	ASF34X3/T	TPA66-29-2X29	109.0	84.0	61.0	51.0	10

T 型防水三通接头软管转换适配器 T fitting conversion adapter



材质：橡胶
颜色：黑色
温度：-40°C~+120°C

Material: Rubber
Colour: Black(BL)
Temperature range: -40°C~+120°C

缩减到尺寸 10 Reduce to conduit size 10	缩减到尺寸 13 Reduce to conduit size 13	缩减到尺寸 16 Reduce to conduit size 16	缩减到尺寸 21 Reduce to conduit size 21	缩减到尺寸 28 Reduce to conduit size 28	包装(个) Packing
RKC13-10	-	-	-	-	10
RKC16-10	RKC16-13	-	-	-	10
RKC21-10	RKC21-13	RKC21-16	-	-	10
-	RKC28-13	RKC28-16	RKC28-21	RKC34-28	10
-	-	-	RKC34-21	-	10

备注：铁路专属型号①为铁道客车，其他客车车辆，动车组及特种车辆专属型号。

Note: railway special model number is for railway passenger cars, other passenger vehicles, motor trains unit and special vehicle exclusive models